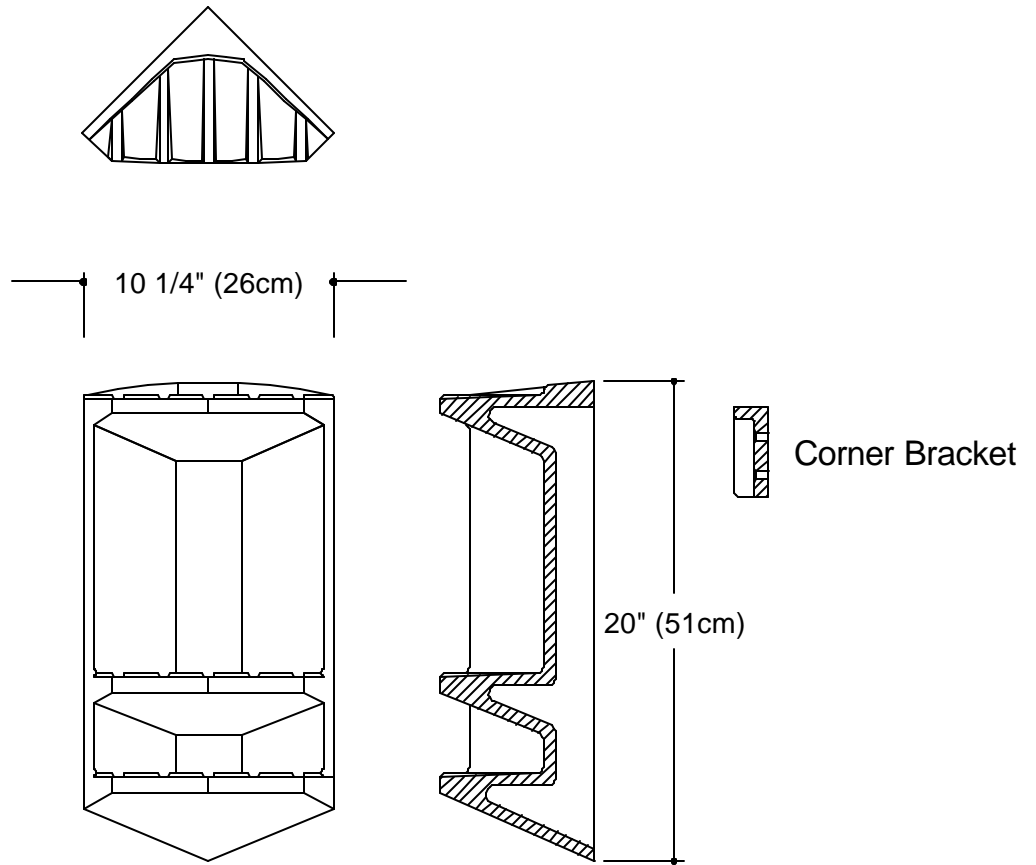


GRUBER SYSTEMS RESERVES THE RIGHT TO CHANGE THIS INFORMATION AT ANY TIME WITHOUT PRIOR NOTICE. ISSUED BY GRUBER SYSTEMS INC., 25636 AVENUE STANFORD, VALENCIA, CA 91355, USA. COPYRIGHT 2002.



MOLD PART	CATALOG No.	DESCRIPTION
MALE	<b>22849</b>	<b>DIAMOND CORNER SOAP SHAMPOO HOLDER</b>
FEMALE	<b>428498</b>	<b>FFL-DIAMOND CORNER SOAP SHAMPOO HOLDER</b>
NAME	<b>DIAMOND SOAP SHAMPOO HOLDER</b>	
CAST WEIGHT	SCALE 1 1/2" =1'	DATE 8-31-02
		PAGE No. AC-3